

PUFFER

HEATING WATER BUFFER TANK



APPLICATION

Efficient storage of heating hot water mostly using biomass, heat pumps or solar thermal energy sources.

MATERIAL

Mild steel construction with exterior paint. No anti-corrosion treatment required due to the buffer's closed circuit system.

TECHNICAL DESCRIPTION

Used to improve flexibility of pellets, stoves and burners. PUFFER are used in units with a typically discontinuous energy source such as biomass boiler and solar thermal system.

INSULATION

NOFIRE® soft polyester fleece 100% made of recyclable material, with high thermal insulation. Fire resistance class B-s2d0 according to EN 13501. Grey PVC external lining with top cover.

HE SERIES: High thermal insulation with ecological hard polyurethane foam.

WARRANTY

2 years

See general sales conditions and warranty



TECHNICAL DATA AND
ECODESIGN ERP LABELS
AVAILABLE ONLINE AT
WWW.CORDIVARI.COM

Available until April
2016

PUFFER VT

ENERGY
EFFICIENCY
CLASS

Model	Storage: Mild steel		ErP
	Art. Nr.		
200	3251162282501		C
300	3251162282502		C
500	3251162282803		C
600	3251162282511		E
750	3251162282763		E
800	3251162282504		E
1000	3251162282505		E
1500	3251162282506		E
2000	3251162282607		E
3000	3251162282608		
5000	3251162282610		

PUFFER VT COMPACT

Model	Storage: Mild steel	
	Art. Nr.	
2500	3251162280370	
3000	3251162282658	
4000	3251162282659	
4500	3251162282660	
5000	3251162282661	
6000	3251162282662	
8000	3251162282663	

COMPACT
MODELS

PUFFER HE SERIES

HIGH EFFICIENCY INSULATION TANKS

Designed according to 2009/125/CE Directive (ErP – Eco-friendly Plan Specification), HE series are already compliant with Regulation n. 814/2013, that demands C-energy efficiency class from September, 26th 2017.



PUFFER HE VT

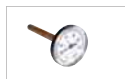
ENERGY
EFFICIENCY
CLASS

Model	Storage: Mild steel		ErP
	Art. Nr.		
200	3251162312501		C
300	3251162312502		C
500	3251162312503		C
600	3251162312504		C
750	3251162312505		C
800	3251162312506		C
1000	3251162312507		C
1250	3251162312508		C
1500	3251162312509		C
2000	3251162312510		C

— Accessories on request —

Thermometer

Art. Nr.
5032240000107
5 units box



Buffer tanks connecting kit

Art. Nr.	Connection
5006170001001	1" 1/2
Stainless steel extensible connecting kit - (200 ÷ 400 mm)	

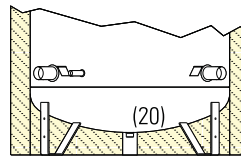
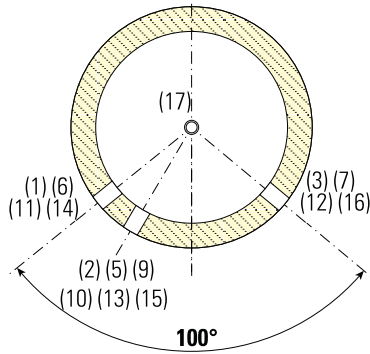
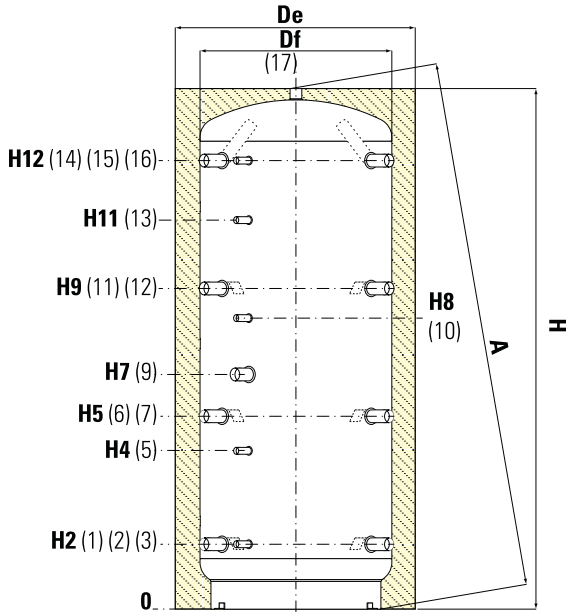


PUFFER

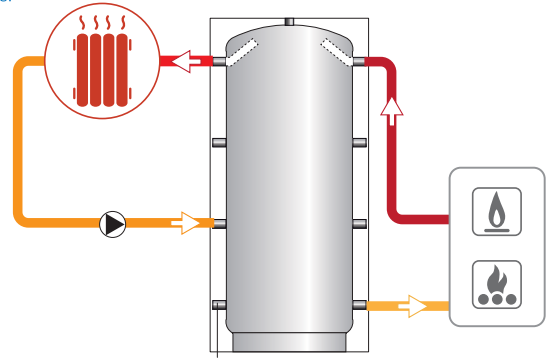
HEATING WATER BUFFER TANK

STORAGE	
Pmax	Tmax
3 bar	99 °C

CORDIVARI Lab
 TÜV Rheinland
 Energie und Umwelt
 GmbH states that test
 procedures and Cordivari LAB are
 certified conforming to European
 standard EN 15332, as indicated
 by Ecodesign ErP Directive.



Models > 2000



1-3-6-7	Heating return/To Generator
2-5	Connection for instrumentation 1/2" Gas F
9	Electrical immersion
10	Connection for instrumentation 1/2" Gas F
11-12-14-16	Heating delivery/From Generator
13	Connection for instrumentation 1/2" Gas F
15	Connection for instrumentation 1/2" Gas F
17	Heating delivery
20	Drain only for models 3000, 4000 and 5000

PUFFER



PUFFER VT

Model	Net volume [lt]	Df	De	De (HE SERIE)	H	A	H2	H4	H5	H7	H8	H9	H11	H12	1-3-6-7-9-11-12-14-16-17	20
															Connections Gas F	
[mm]																
200	180	450	650	550	1299	1410	218	430	500	576	711	782	871	1064	1" 1/2	//
300	279	550	750	650	1340	1489	232	444	514	590	725	796	885	1078	1" 1/2	//
500	478	650	850	750	1620	1784	247	533	629	841	930	1011	1231	1343	1" 1/2	//
600	560	650	850	750	1870	2014	247	582	695	915	1060	1144	1382	1593	1" 1/2	//
750	717	790	990	940	1658	1906	265	584	630	823	938	995	1180	1371	1" 1/2	//
800	805	790	990	950	1840	2064	265	584	690	823	988	1115	1332	1541	1" 1/2	//
1000	946	790	990	940	2130	2326	265	656	787	998	1188	1309	1588	1831	1" 1/2	//
1250	1248	900	//	1050	2201	2439	313	705	835	986	1168	1357	1568	1879	1" 1/2	//
1500	1973	950	1150	1100	2250	2504	313	736	845	1061	1286	1377	1653	1909	1" 1/2	//
2000	2915	1100	1300	1300	2320	2659	347	770	879	1060	1300	1411	1687	1943	1" 1/2	//
3000	4985	1250	1450	//	2814	3079	556	1017	1071	1693	1879	1786	2140	2402	2"	1"
5000	4985	1600	1800	//	2929	3338	586	1047	1101	1691	1889	1816	2159	2432	2"	2"

PUFFER VT COMPACT

Model	Net volume [lt]	Df	De	H	A	H1	H2	H4	H5	H7	H8	H9	H11	H12	1-3-6-7-11-12-14-16	9-17	20
															Connections Gas F		
[mm]																	
2500	2306	1250	1450	2351	2663	140	556	886	996	1051	1216	1436	1546	1876	1" 1/2	1" 1/2	1"
3000	3017	1500	1700	2180	2646	109,5	567	841	932	1252	1115	1297	1389	1662	2"	2"	1"
4000	3986	1600	1800	2456	2931	94,5	574	910	1022	1414	1246	1470	1582	1918	2"	2"	1"
4500	4411	1800	2000	2230	2866	90	582	856	947	1267	1130	1312	1404	1677	2"	2"	1"
5000	5042	1800	2000	2480	3064	90	583	919	1031	1423	1255	1479	1591	1927	2"	2"	1"
6000	5672	1800	2000	2730	3270	90	605	1005	1114	1295	1535	1646	1922	2155	3"	2"	1"
8000	7564	1800	2000	3480	3918	90	606	1066	1372	1526	1986	2138	2446	2904	3"	2"	1"

P.E.D. product planned and produced in conformity to the article 3.3 of directive 92/23/CE